

HEX BI-FACIAL 20000

Hex bi-facial 2000

8high-quality bi-facial solar panels	3.2mm PERC Bi-facial solar panel iron matt tempered glass max 2.356Wp*
Battery storage	Optional
Switch time inverter	<10min
Sun tracing system	Self-learning
Azimuth range	240°
Angle of inclination	0° - 55°
Solar energy charge	~10kWh/per day
Charger	Class 2
Working temperature	-20 °C~60 °C
Total weight	250kg
Wind resistance	Class 2 – DIN EN12424
Protection level inverter	IP21/IP65
Service and operation tracing system	GPRS/GSM 4G

Panel specifications

Efficiency	Each panel 155Wp +/- 5% Bi-facial (+/-300Wp) Albedo effect: (30% 1600Wp- 60% 2000Wp-90% 2356Wp) *		
Open circuit voltage	34.7% +/-10%	Peak power	5.25A +/- 10%
Voltage Vmp	29.6% +/-10%	Current Imp	5.48A +/-10%

Inverter – storage inverter

Rated DC Voltage/maximum charger current	48V/55A
Rated voltage AC	230V
Power	2.000W
PV Charger/max. efficiency	95%

Please note, details are subject to change without notice STC: 1000W/m²,AM1.5 and cell temp 25C
Possible energy production >3000kWh – Average 10 years annual sun hours CBS the Bilt (2000)
No energy warranty could be offered.

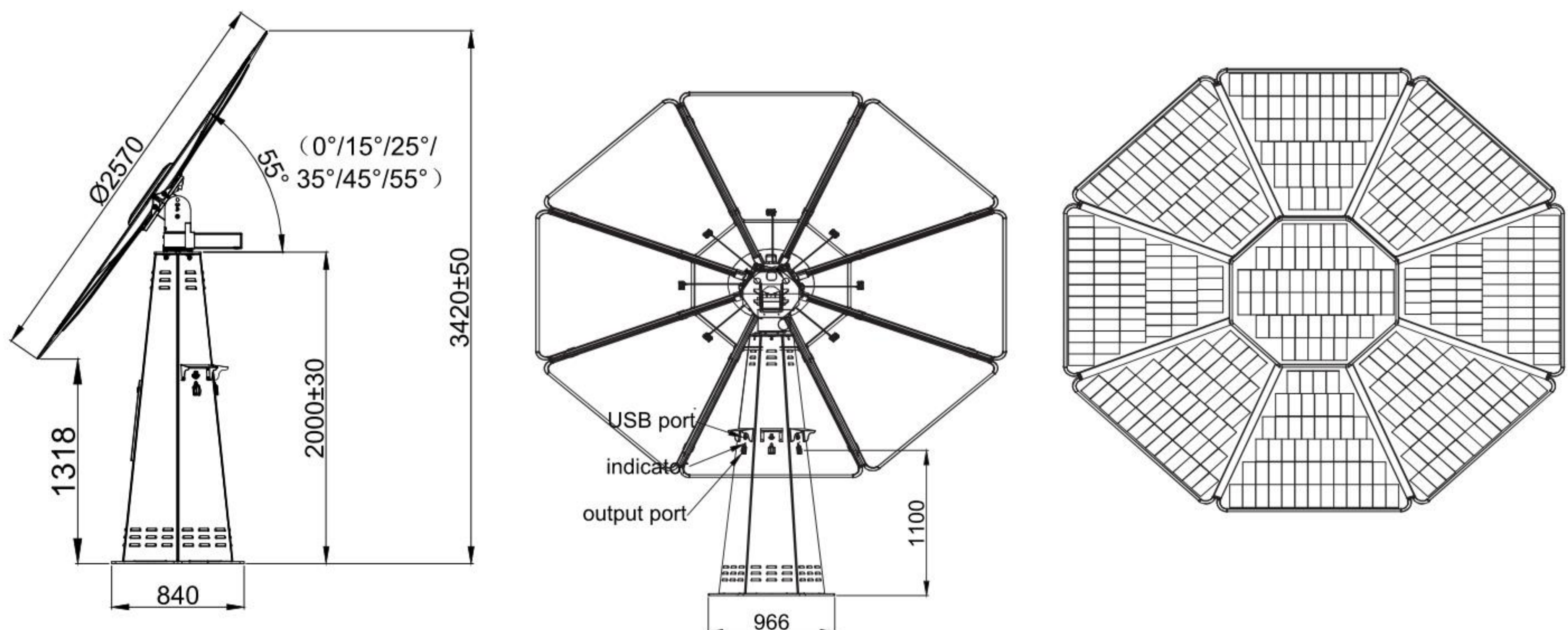


Figure 1. Dimension and diameter HEX Bi-facial 2000

2. Dimension solar panel